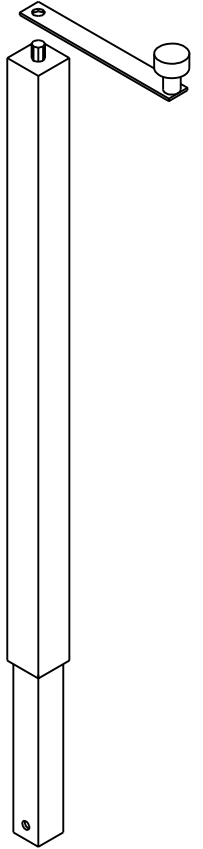
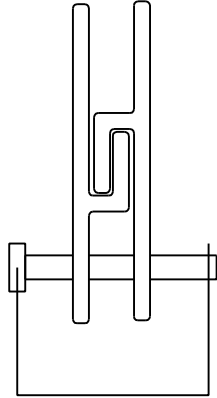


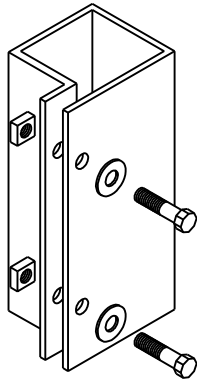
10' DOCK INSTRUCTIONS

SCREW JACK

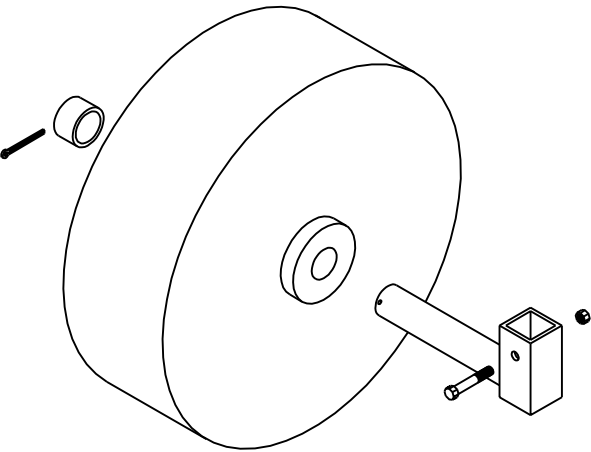
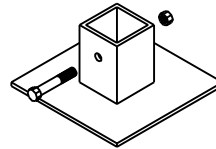
DOCK FRAME CONNECTION



CLAMP POCKET



PAD



WHEEL & AXLE- INSTALL
IN PLACE OF PAD WHERE
NEEDED